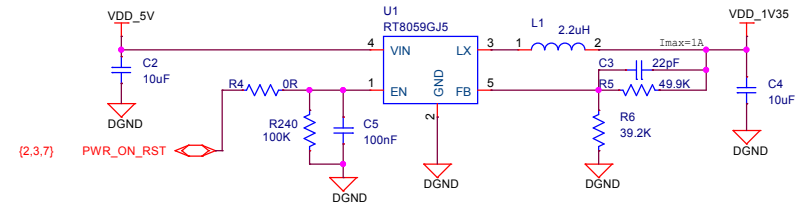
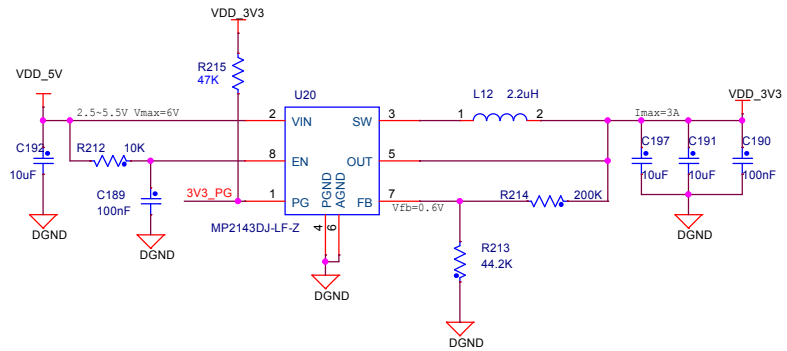
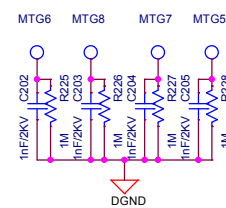
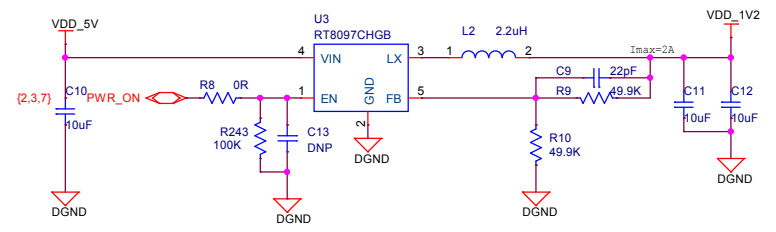
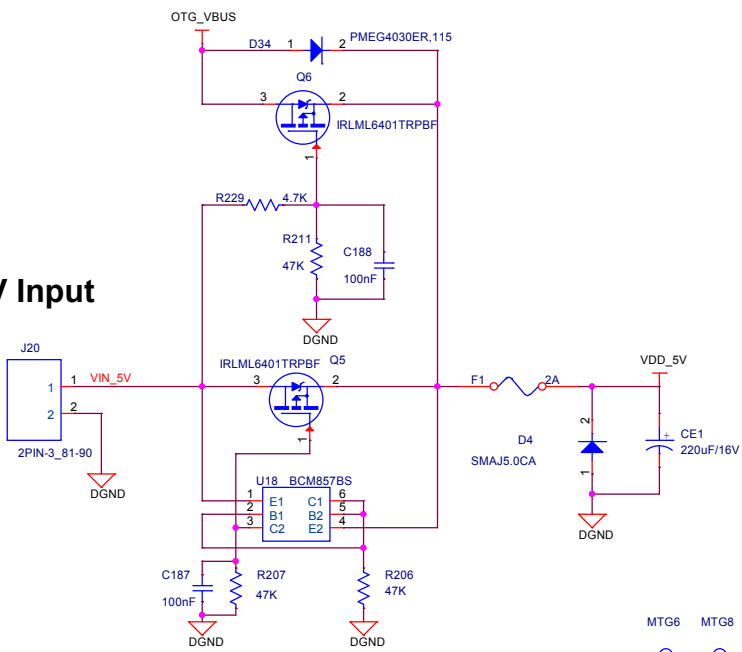


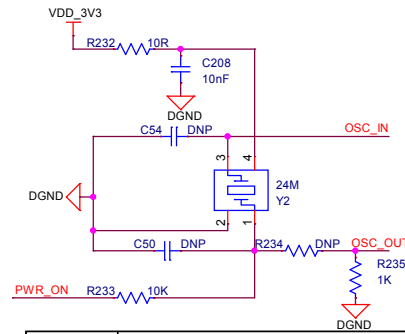
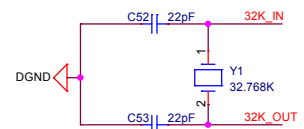
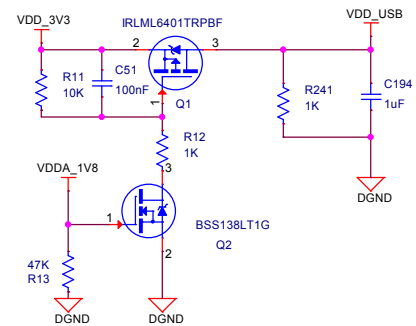
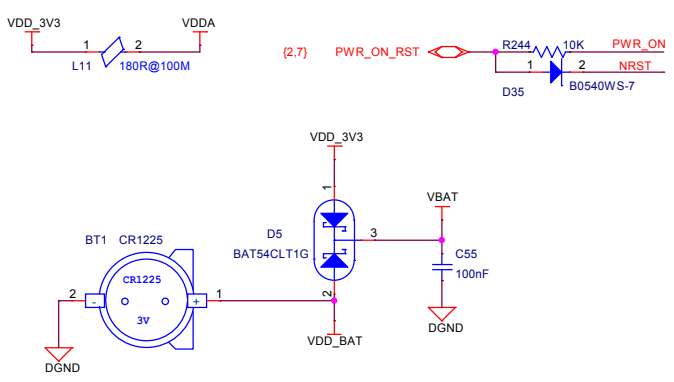
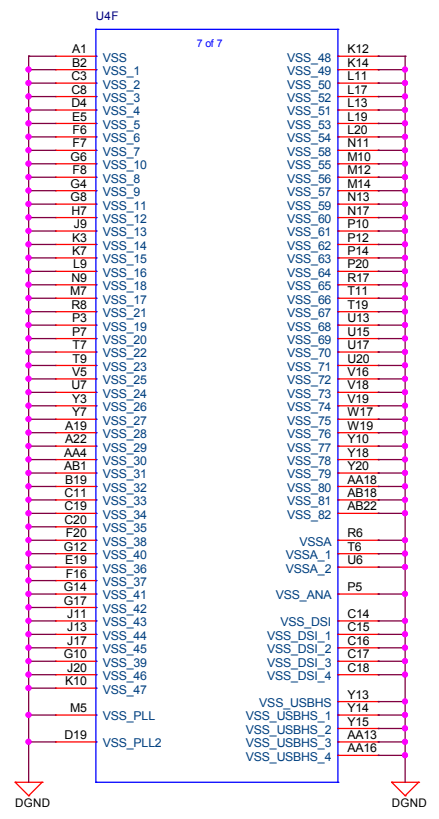
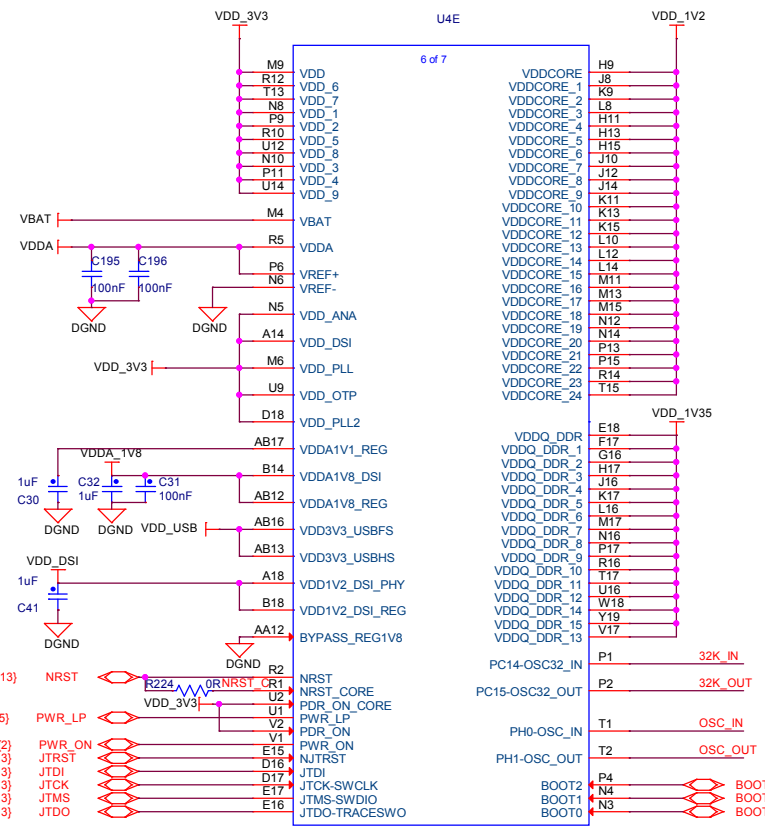
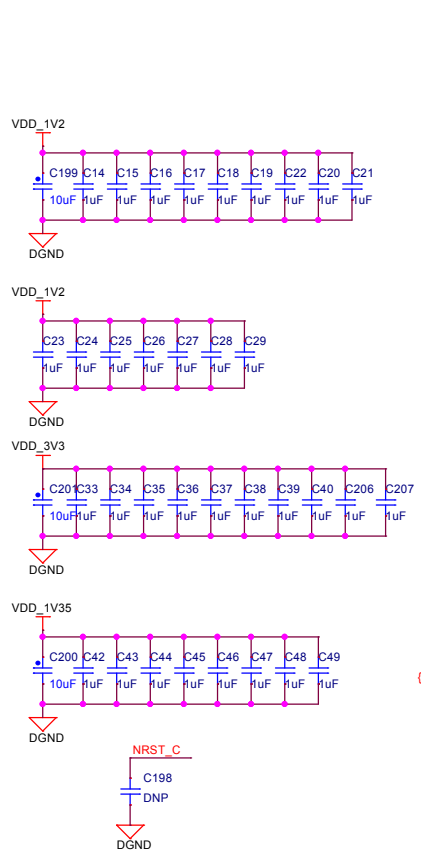
Page	Title
01)	Block Diagram
02)	Power Supply
03)	CPU-Power
04)	CPU- Peripheral
05)	CPU- DDR3
06)	Flash Memory
07)	Ethernet
08)	USB Hub
09)	USB & TF Card & LED & KEY
10)	LCD & Camera & Touch
11)	HDMI
12)	AUDIO
13)	Header & Boot & JTAG



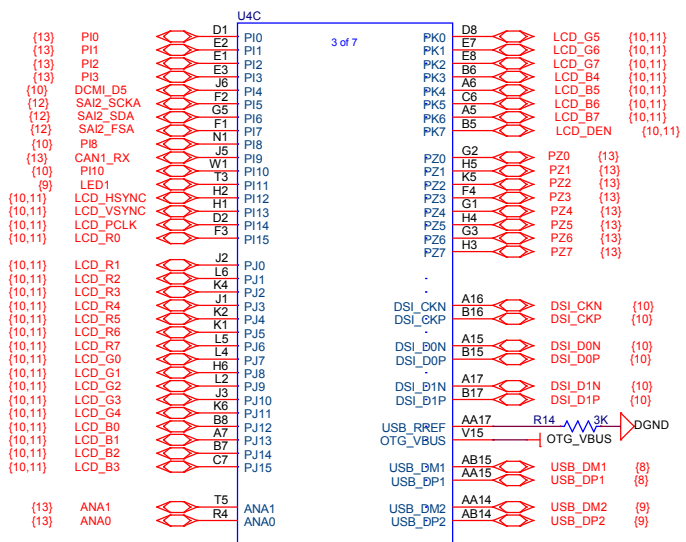
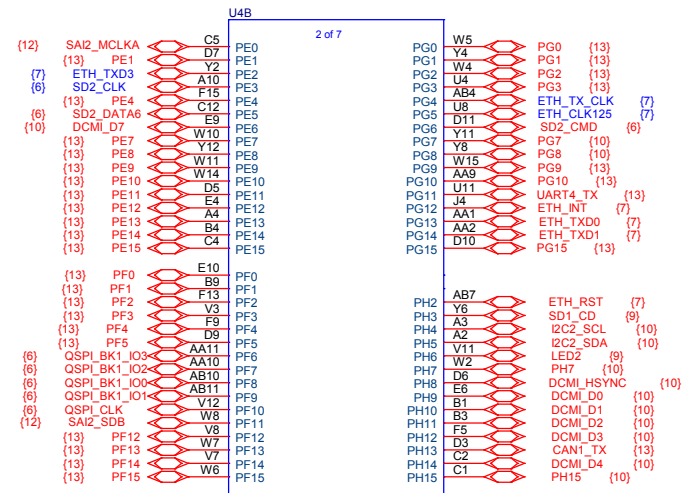
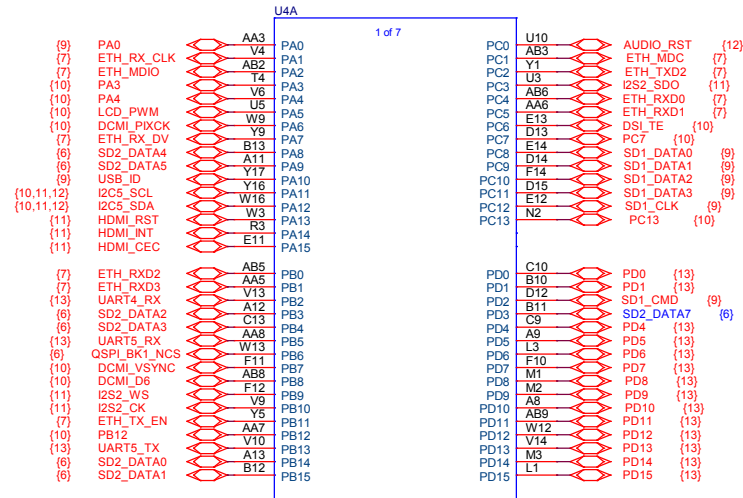
DC 5V Input



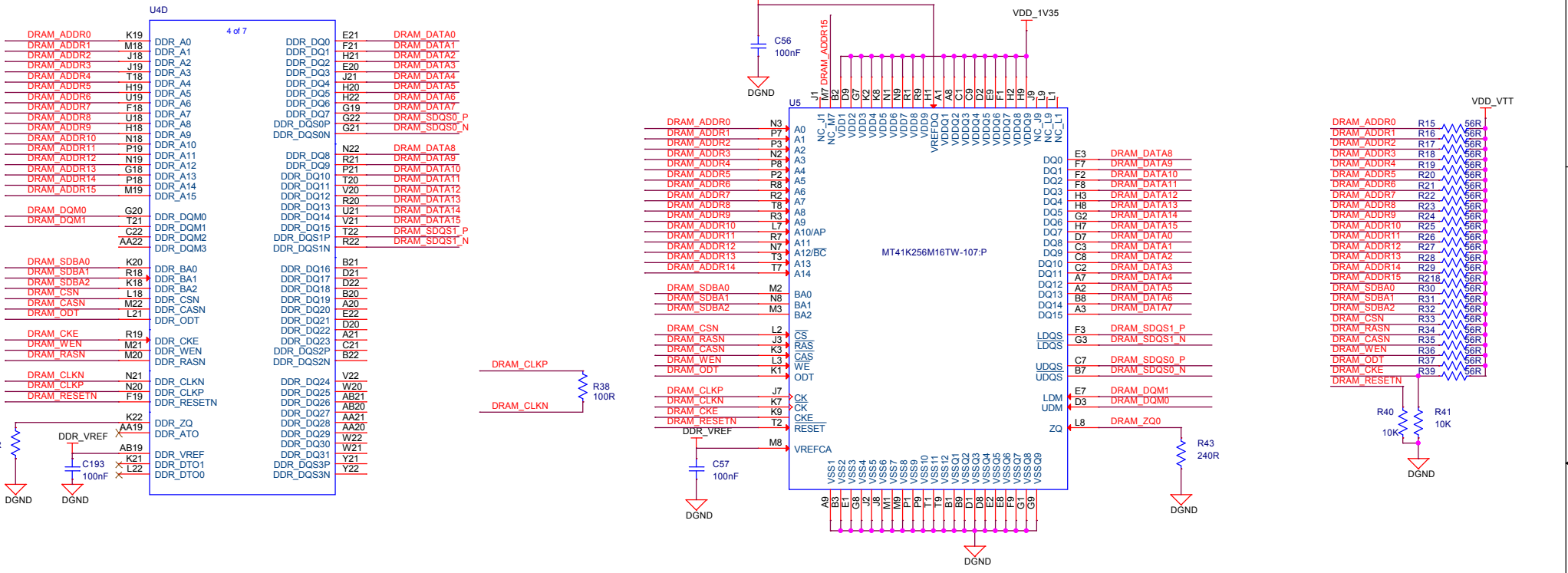
	http://www.i2som.com	
	Document Name: PanGu_Board	Draw By: Mason
	Title: Power Supply	Rev: V1.2
	Size: A3	Date: Tuesday, November 19, 2015 Sheet: 2 of 13

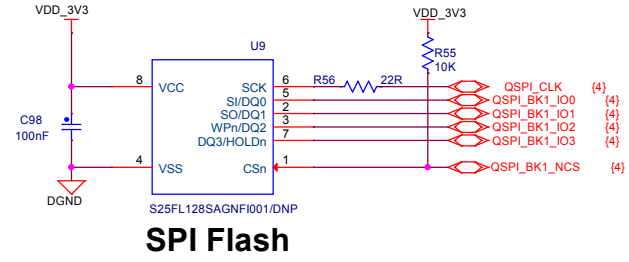
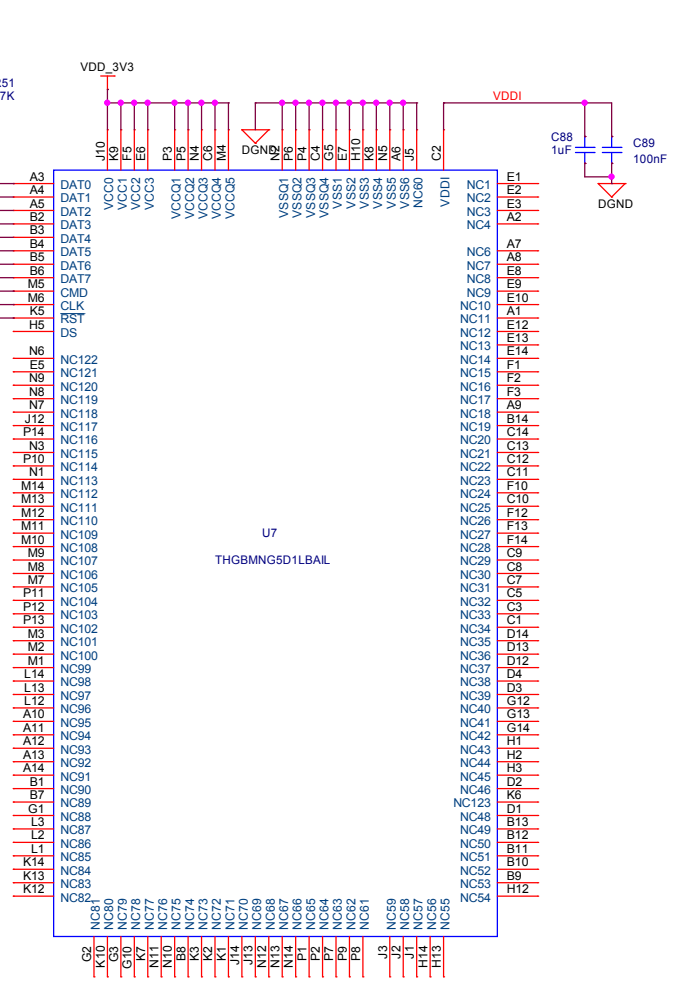
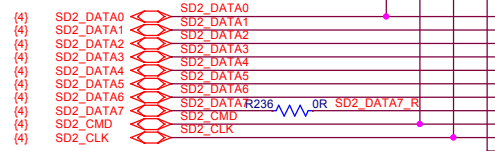
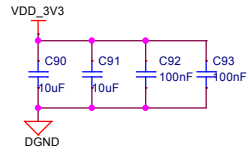


http://www.i2som.com		
Document Name:	PanGu_Board	Draw By: Mason
Title:	CPU-Power	Rev: V1.2
Size: A3	Date: Tuesday, November 19, 2019	Sheet: 3 of 13



	http://www.i2som.com	
	Document Name: PanGu_Board	Draw By: Mason
	Title: CPU-Peripheral	Rev: V1.2
	Size: A3	Date: Tuesday, November 19, 2019

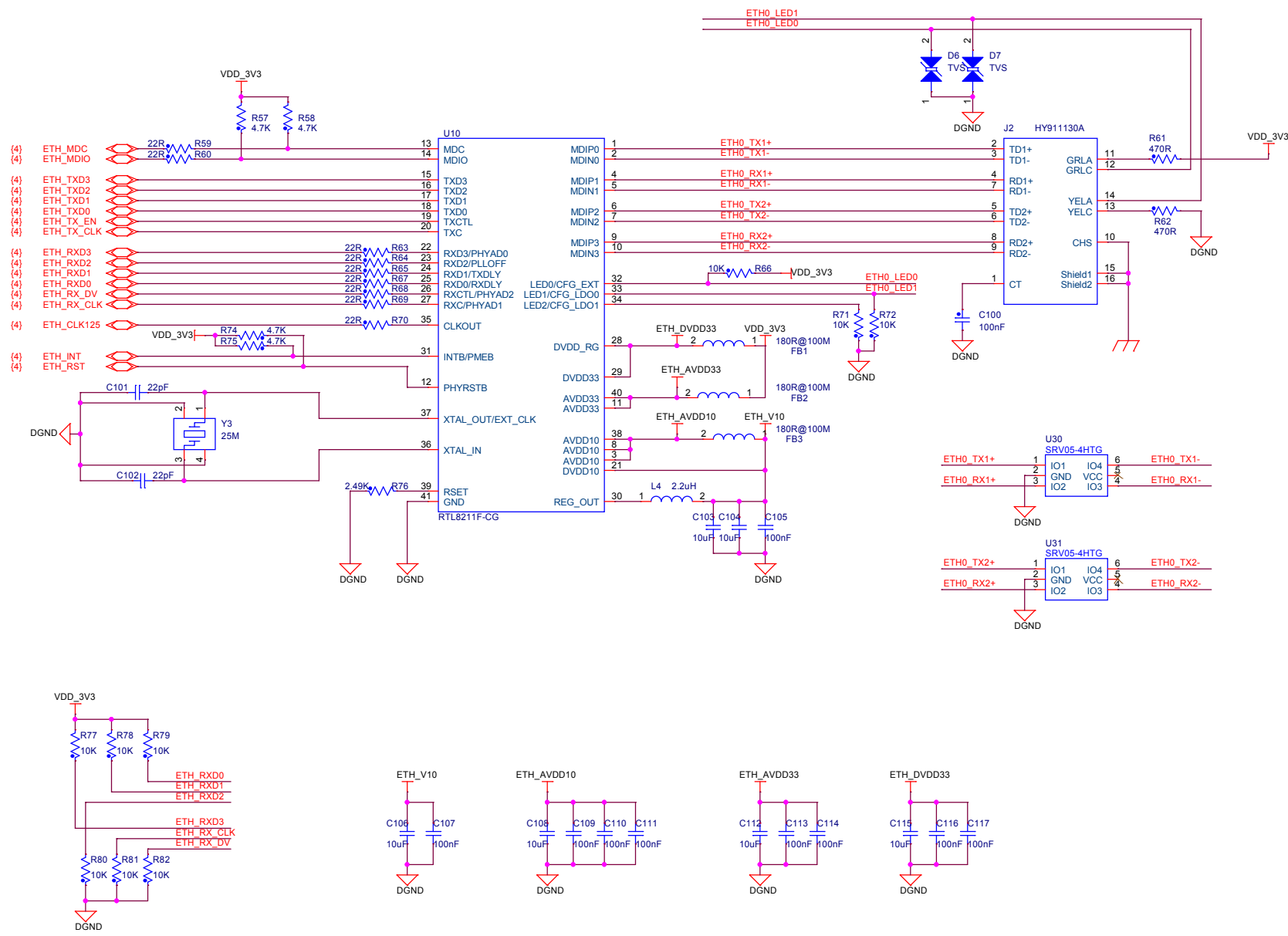


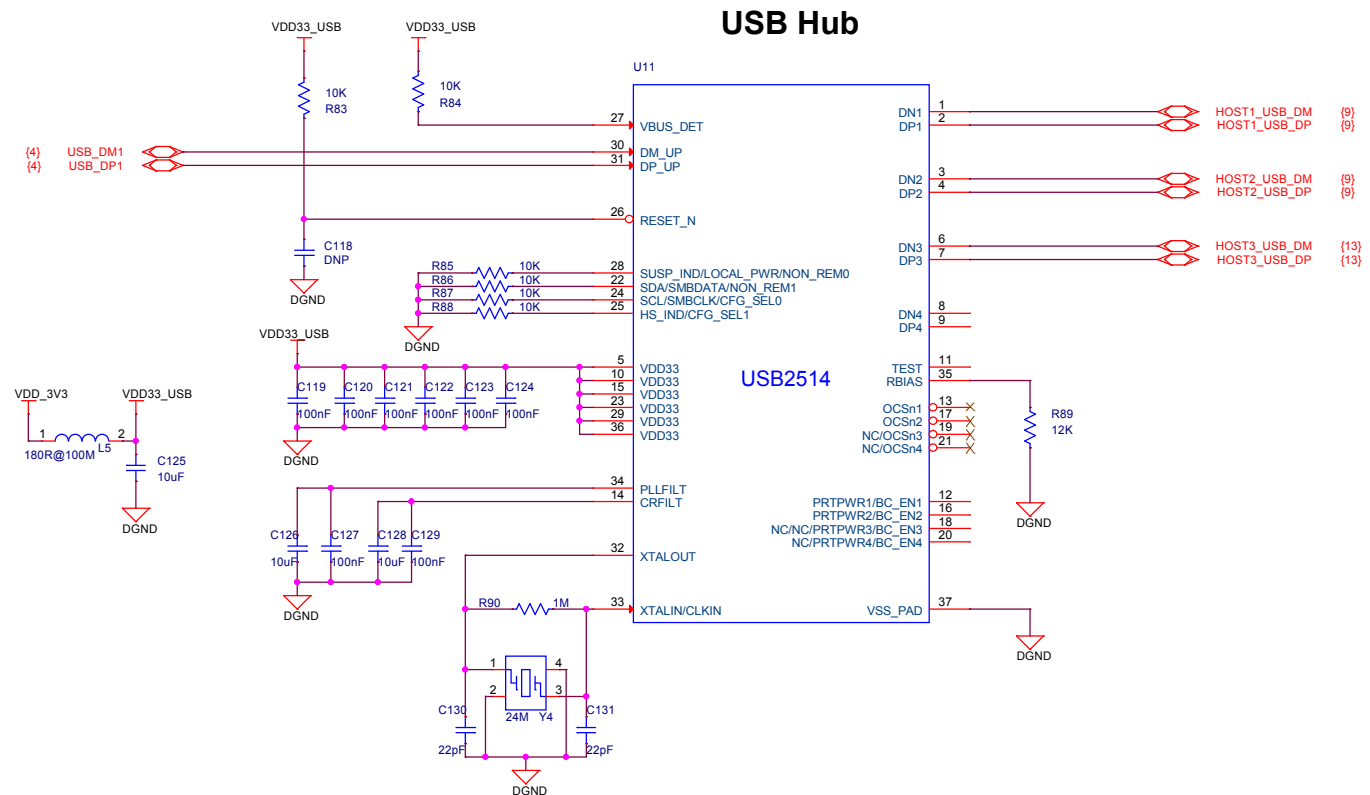


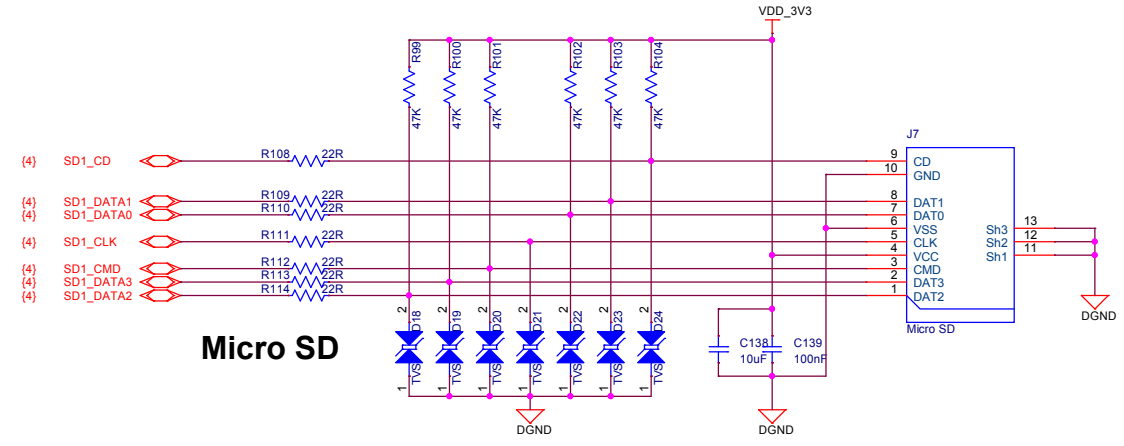
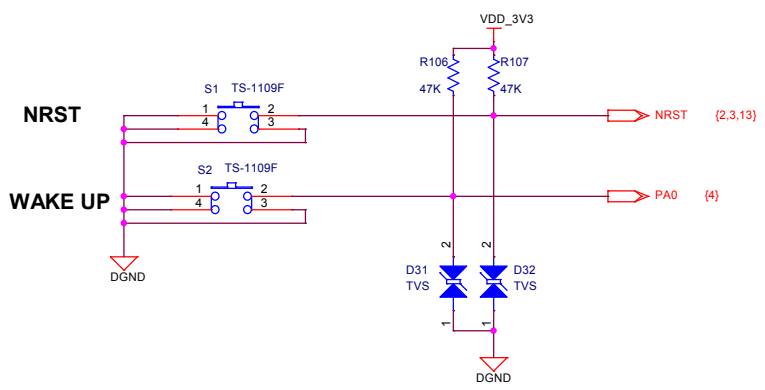
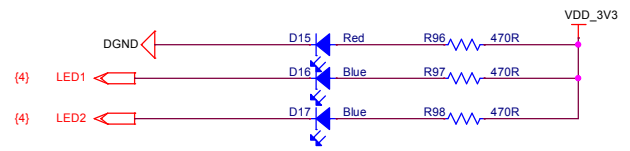
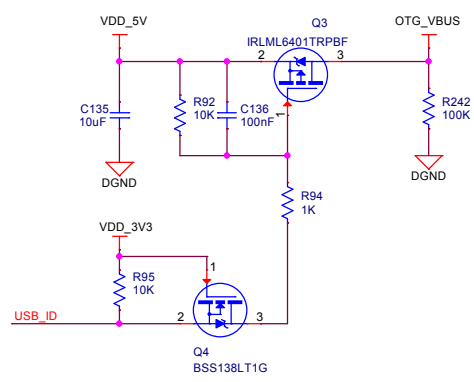
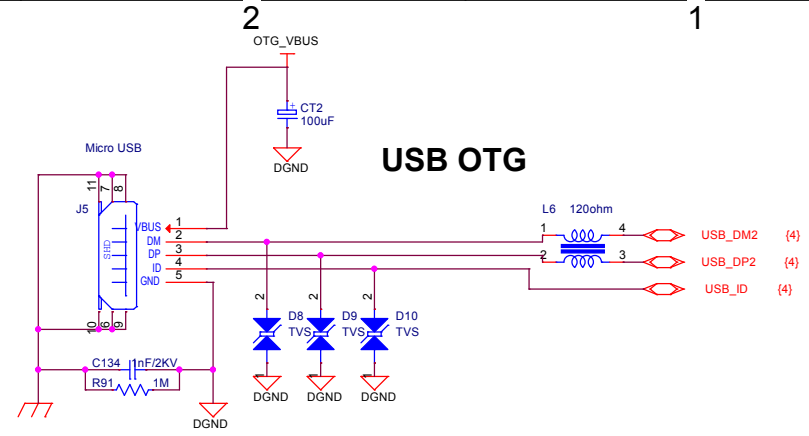
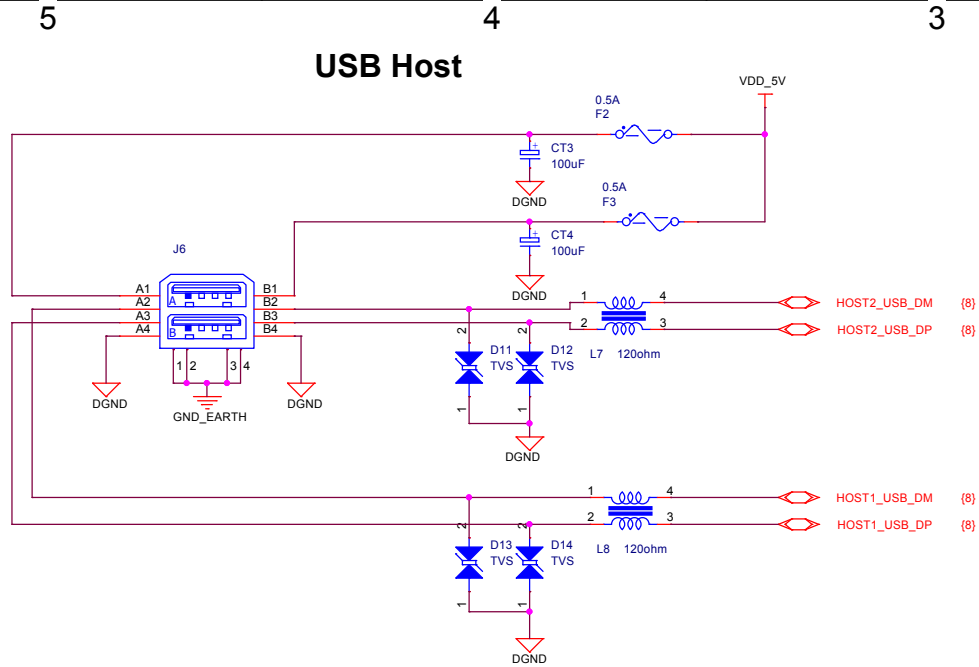
SPI Flash

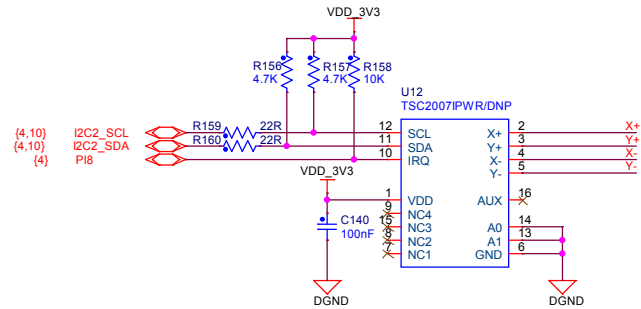
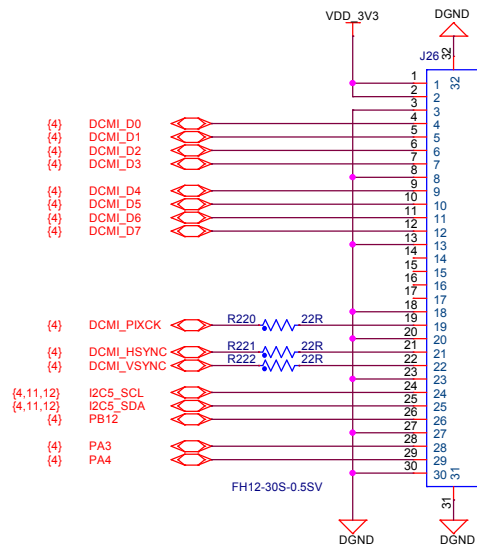
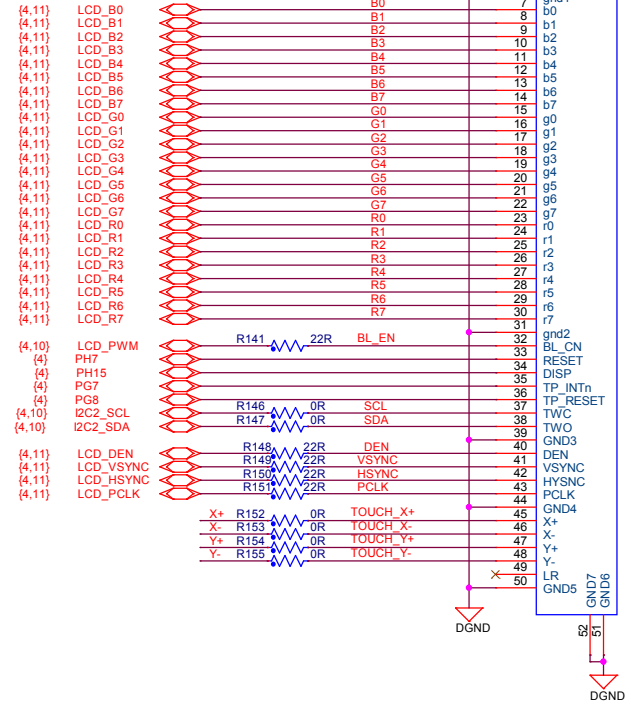
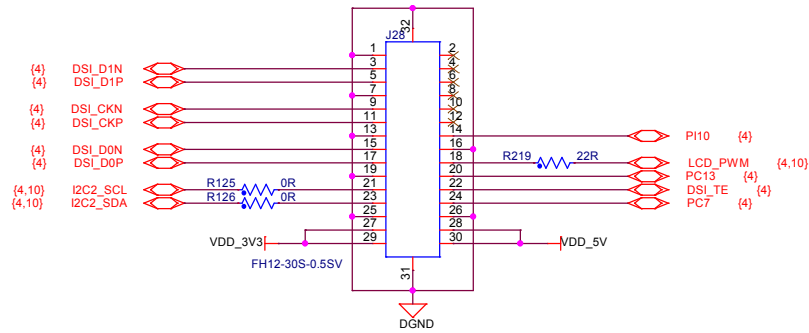
eMMC

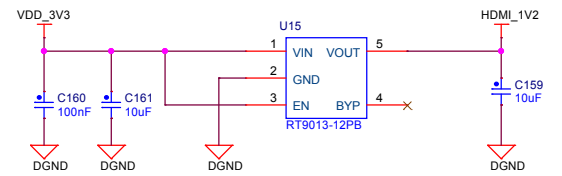
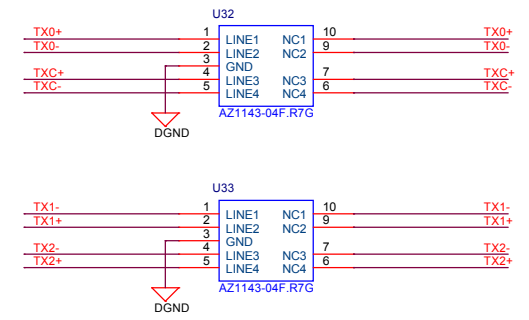
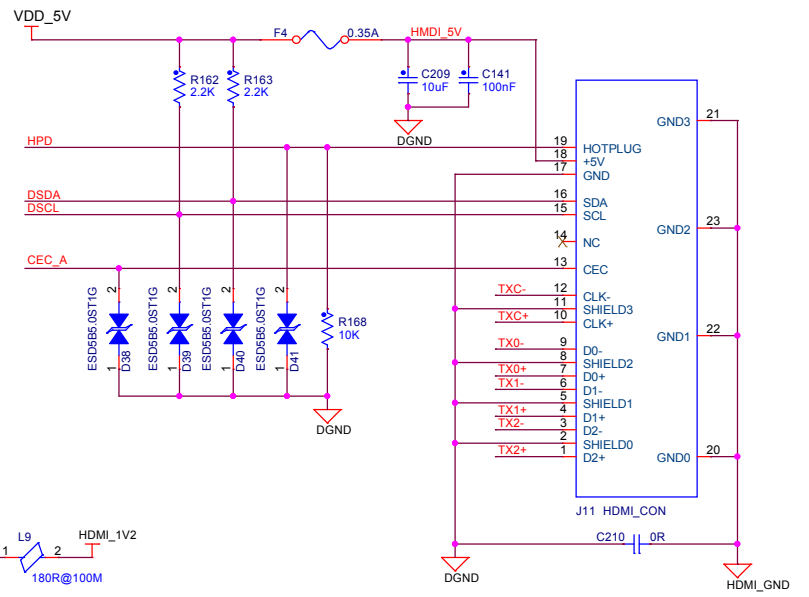
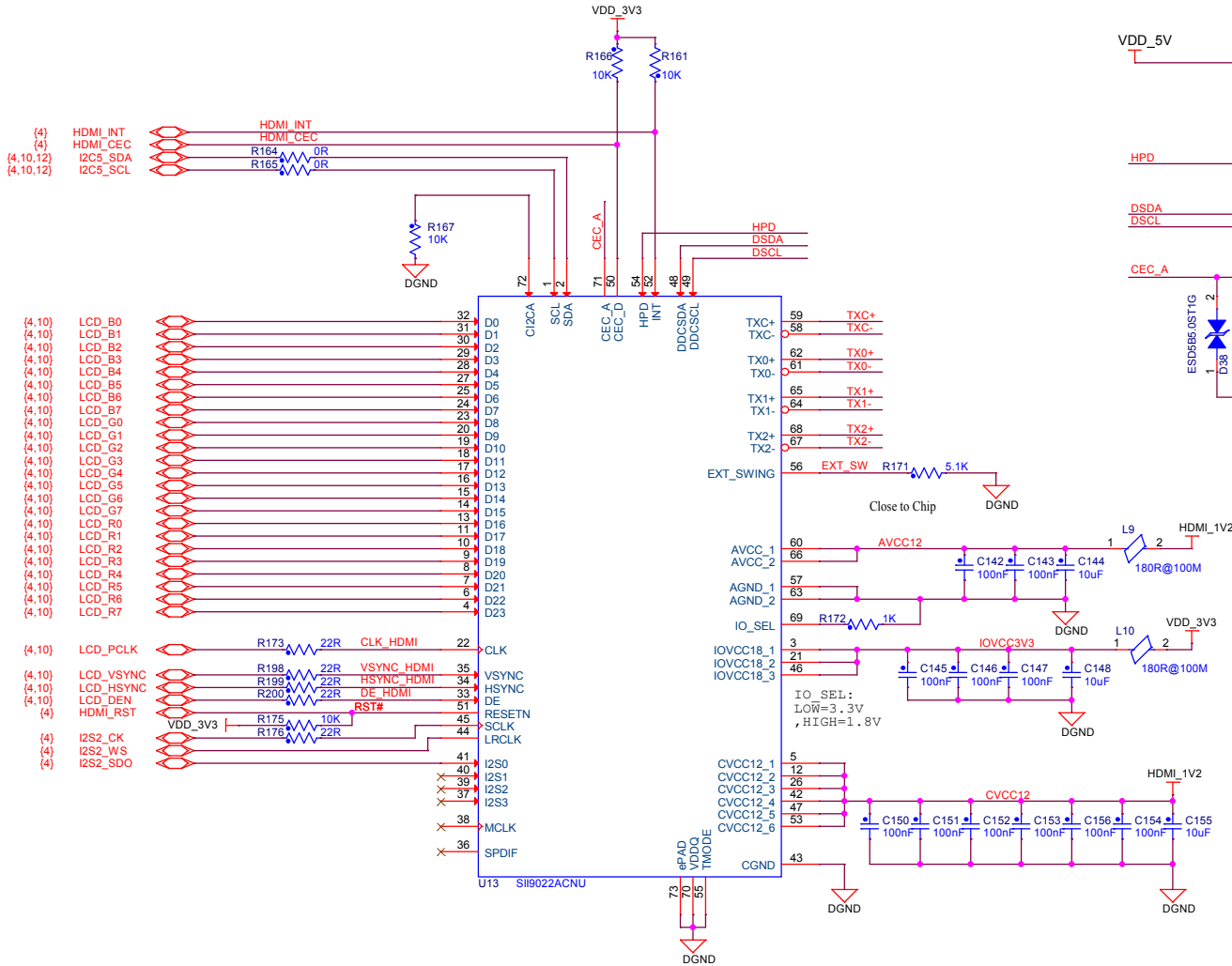
	http://www.i2som.com	
	Document Name:	PanGu_Board
	Title:	Flash Memory
	Size: A3	Date: Tuesday, November 19, 2019
	Draw By:	Mason
	Rev:	V1.2
	Sheet:	6 of 13



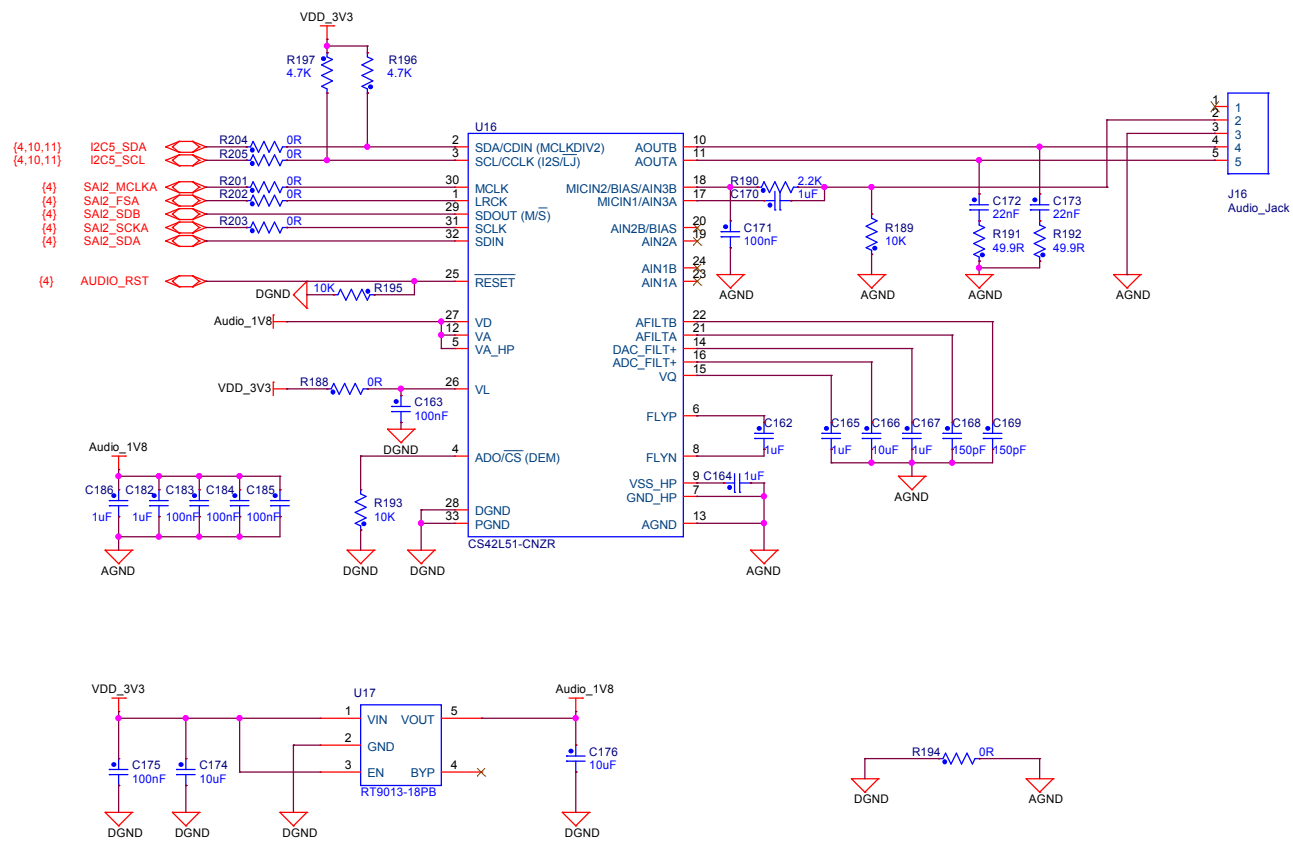


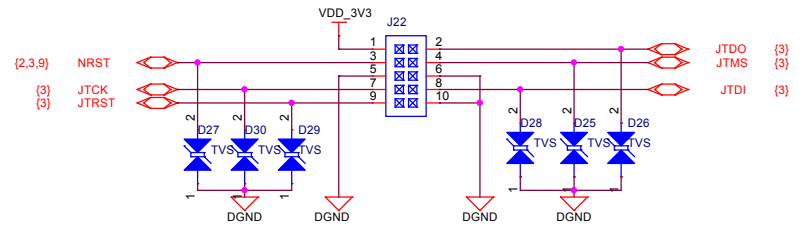
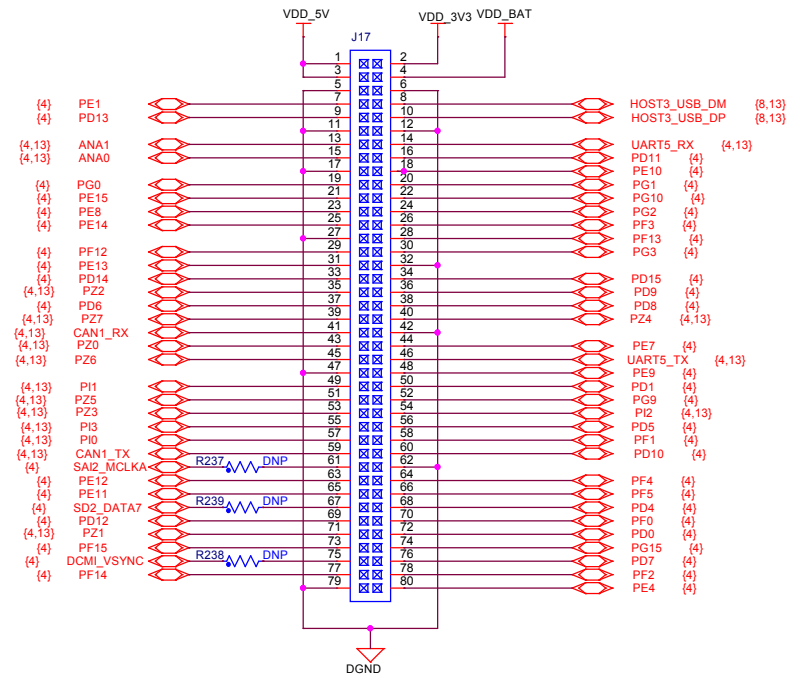
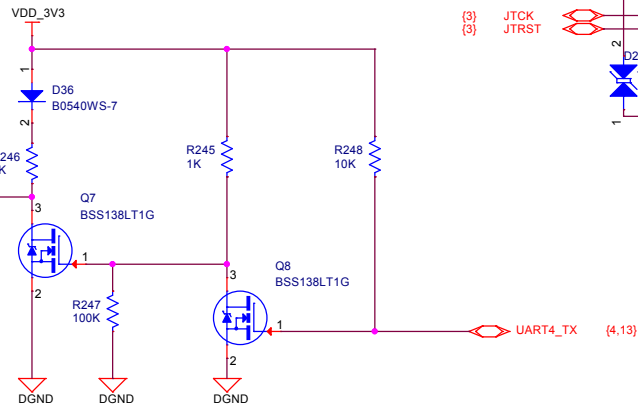
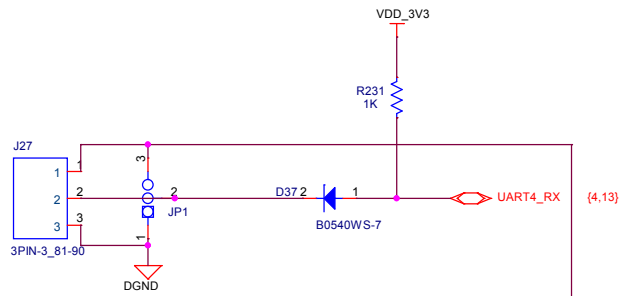
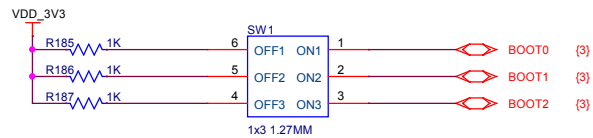
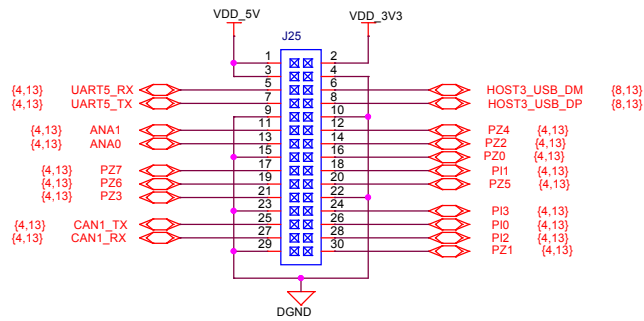






	http://www.i2som.com	
	Document Name:	Draw By:
	PanGu_Board	
	Title:	Rev:
HDMI		
Size: A3	Date: Tuesday, November 19, 2019	Sheet: 11 of 13





http://www.i2som.com		
Document Name:	PanGu_Board	Draw By:
Title:	Expansion Header & boot	Rev:
Size: A3	Date: Tuesday, November 19, 2018	Sheet: 13 of 13